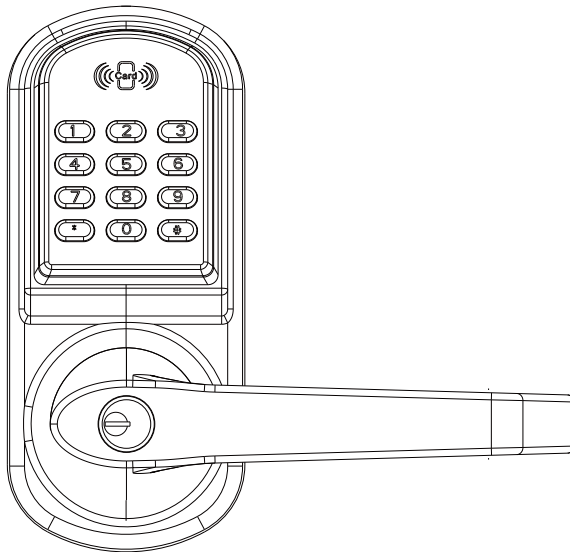


Add: 20#, Shui Tian Road, Tong Le Community,
Long Gang District, Shenzhen,China.Zip Code:518116
Tel: +86-0755-84893637 Fax: +86-0755-28072766
Mail: locstar@locstar.com locstar@vip.163.com
Website: www.locstar.com locstar.cn.alibaba.com



LS-8015FM Digital Door Lock



- Please read this manual carefully before use.
- Please safekeeping this manual to prepare for inspection

Locstar Technology Co.,Ltd

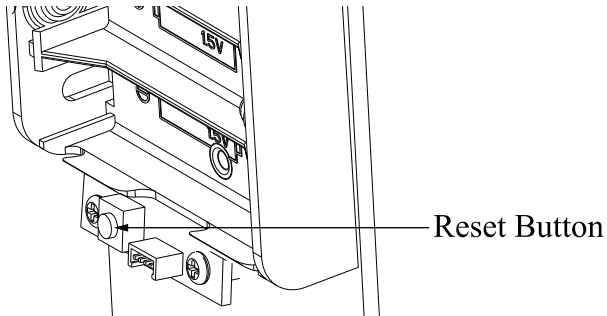
Operation Guide

Features

- Multiple Users: Up to 200 User Codes, with 4–8 digits.
- Easy Installation: Standard cylindrical latch with 60–70mm backset suits door thickness 35–50mm. field reversible left or right hand operation,
- Easy Operation: Convenient keypad programing. Simple to use.
- Battery life: 4×AA standard 1.5V alkaline batteries. Battery life=up to 20.000 cycles, Recommended to change every 12 months. Remove Back Body cover to replace batteries. Battery not included.
- Low Battery Warning: When batteries voltage gets below 4.5V, after entering a valid code the red LED will flash and lock will beep five times. Replace all 4 batteries.
- Emergency Battery Override: If the batteries go flat you can power the lock by touching a standard 9V battery on the terminals at the bottom of the Front Body of the lock.

General Information:

- Exit setting mode: Enter * to exit the setting procedure, or wait for 10 seconds
- Reset: Set the lock back to factory default. Remove Back Body cover, press and hold black Reset button for about 10 seconds (lock will beep once, then 3 times to confirm); it will delete all the codes, iButtons, and restore back to factory default setting. (See Picture)



Factory Default Setting:

- Default programming code: 123456
- Construction code: 0 #

Operational options:

- Key code: User Code, #
- iButton: iButton key touch lock reader
- iButton + Keypad: iButton touch lock reader, LED will glow green, enter user code, #
- One time service code: One time code, #

Terms:

Master code: The master code puts the lock into a programming mode. It won't lock/unlock the lock. When # sign is entered, the red LED starts to flash indicating the lock is in programming mode. If more than 6 seconds pass in between programming entries, the lock will return to normal operational status. For maximum security it is necessary to change the default Master Code.

Construction code: Installer code is a default temporary code (0) for installer to testing the lock. The code will be deleted after the first new user code is added to the lock.

Note: Service Codes must be different from existing User Codes

Index #*: For each user code or iButton. It is associate with a unique number; we call it index# (or slot#). The Index # is auto generated by lock and starts with 001. The highest Index# will be 200. Total user index is 200 that can be added to each lock. (* Please log the user code along with its index # for deleting reference)

Passage mode: When Passage Mode is enabled, the lock will stay in unlocked status after first valid entry. Enter a valid entry code to lock the door.

Automatic Locking: Lock will automatically lock in 5 seconds.

Lockout mode: Enabling the Lockout mode will freeze the lock at its current status (Lock or unlock), temporarily disable all the user codes and iButton keys. Re-enter the function code 99 to disable the lockout mode, and resume normal operation.



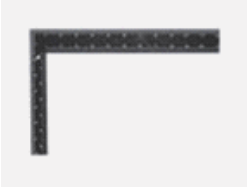






Time format: 0830 = 8:30AM; 1730 = 5:30PM

Schedule Date: 1=Mon, 2=Tue, 3=Wed, 4=Thu, 5=Fri, 6=Sat, 7=Sun

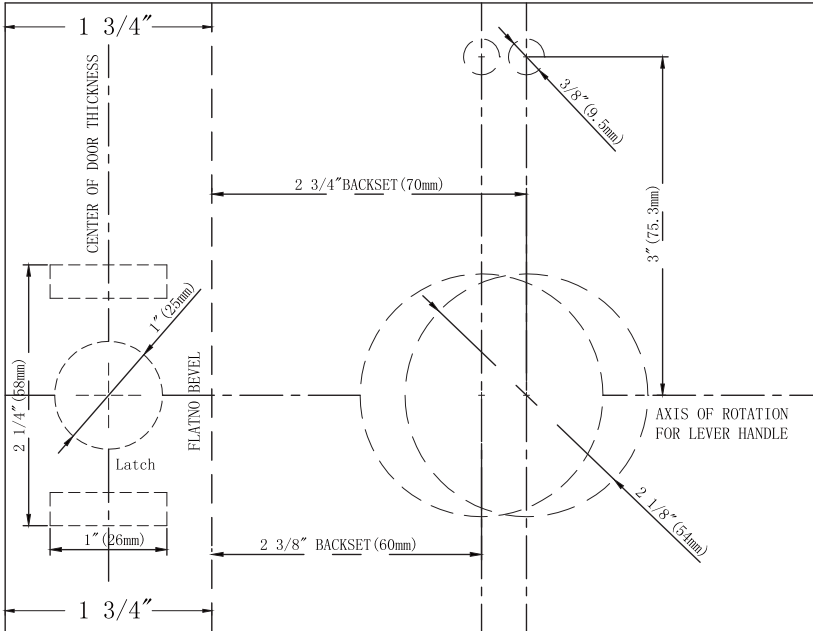
Installation conditions

- 40mm to 55mm door thickness.

Tools required

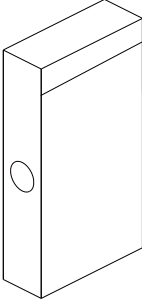
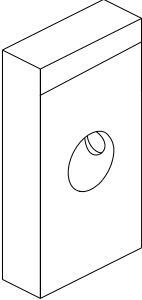
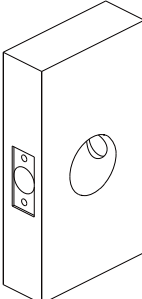
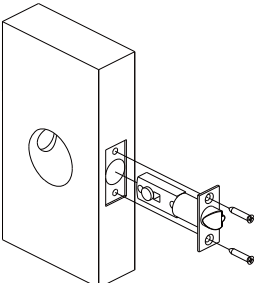
		
Pencil	Tape	Square
		
Drill	Drill bits	Hammer
		
Cutter	Screwdriver	Chisel

Lock Template

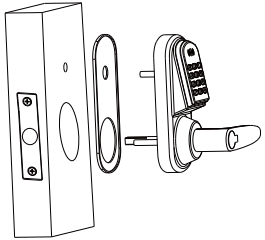


Remark: Please drill holes from both sides to prevent damage to the door

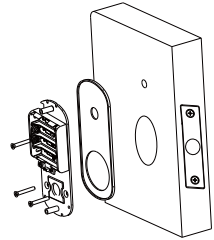
Installation of LS-8015FM with single latch

<p>1. Drill 25mm hole into door edge</p> 	<p>2. Drill 54mm hole through door face from both sides to prevent splitting</p> 
<p>3. Slide latch into hole in door edge and mark around the Faceplate ; Chisel into door edge 3mm deep to fit Faceplate</p> 	<p>4. Insert latch into door, drill 2.5mm pilot holes and fasten with screws</p> 

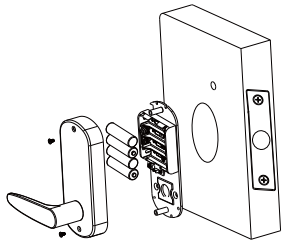
5. Fit water resistant seal on the doorplate; align the spindles to the latch hole; fix front lock



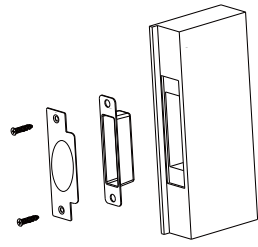
6. Fit water resistant seal on the back doorplate; connect 2P plug to battery box; fix back panel



7. Install battery box and fix back cover



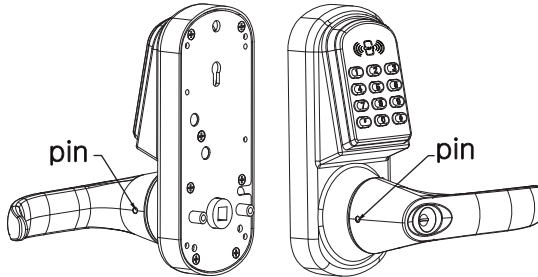
8. Fit strike flush into frame, mark the latch size and doorframe size; insert doorframe box, strike plate one by one, fix with screws



Handle exchange Instruction

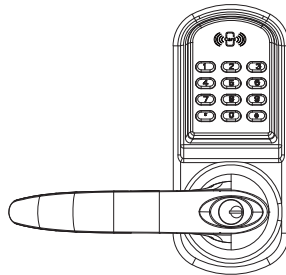
Front Handle of 106R

Step 1



Press the left and right pins using tool
Together with the cylinders

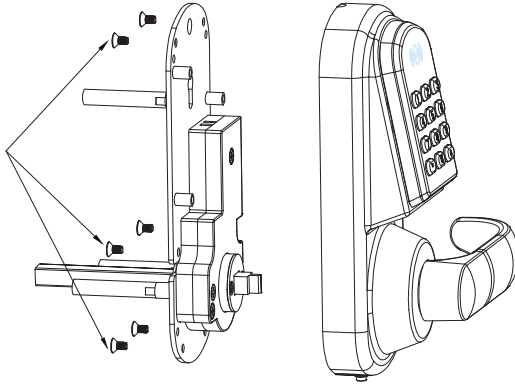
Step 2



Rotate handle 180 degrees
Press the pins to reinstall the handle

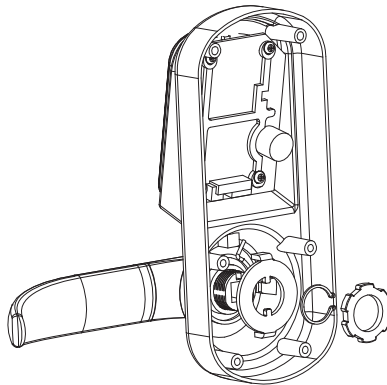
Front Handle of LS-8015FM

Step 1



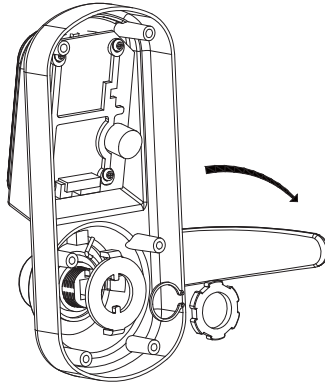
Loosen screws
Take off front lock

Step 2



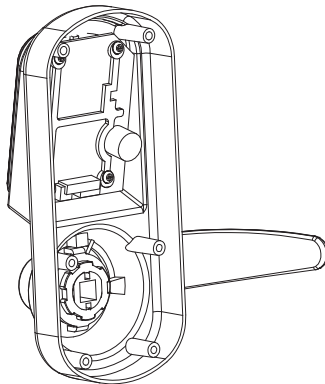
Remove screws and spring

Step 3



Rotate handle 180 degrees

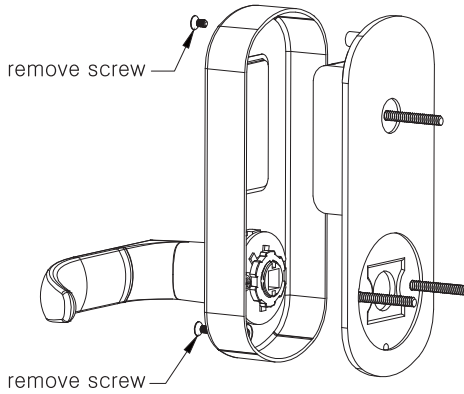
Step 4



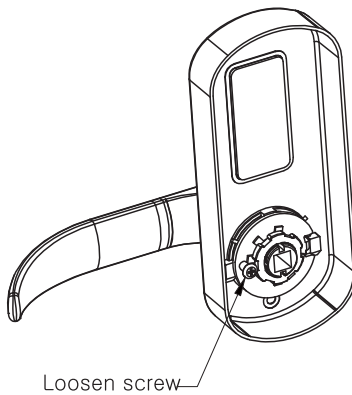
Fix screws and spring

Back Handle of LS-8015FM

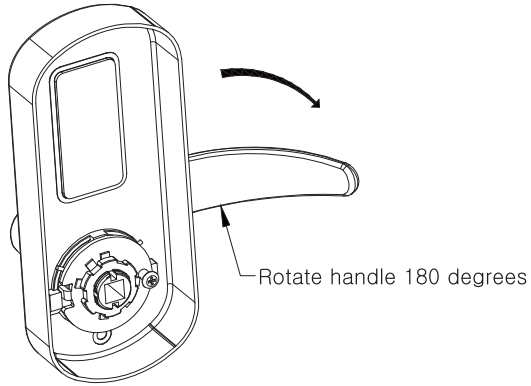
Step 1



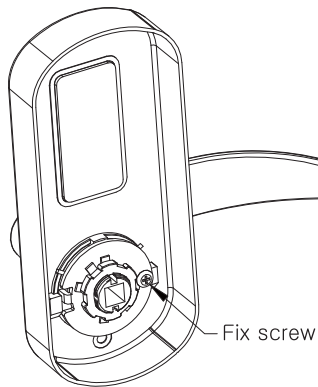
Step 2



Step 3



Step 4



Steps to setup a new lock (please follow the order)

1. Change master code (For example, change to 1234)
123456 # 11 # 1234 # 1234
2. Add a new user code:

No time restriction

(For example, add 7890 to the lock)

1234 #01#001# (002#, 002#...group number)7890###

With time restriction (For example: 30/11/2012, from 8:30am to 5.30pm)

1234#01#001#(002#...)7890#1211300830#

12113001730#

3. Delete master card and all user numbers

123456 # 22 # 1234#1234#

4. Add card

1234 #01#002(003...) #touch card

5. Add card + code

No time restriction

#1234#01#003#(004...)7890#touch card###

With time restriction

(For example: 30/11/2012, from 8:30am to 9:5am)

#1234#01#003# (004...) 7890#touch card#1211300830#

1211300905#

6. One time service code (For example: 1357.)

#1234#33#1357# (#)

7. Delete one user code or card:

#1234#44#001# (002#, 003#...)

8. Disable one user code or card

#1234#02#001# (002,003#...)

9. Enable one user code or card

#1234#03#001# (002#, 003#...)

10. Disable/Enable all user codes or cards

#1234#99#

Optional:

11. Set up auto-unlock time, it will auto unlock the door every day at assigned time. (For example: Monday, 8:30am ;or Monday, Tuesday, Wednesday, 8:30am)

#1234#63#1#0830#

#1234#63#123#0830#

123 = Monday, Tuesday, Wednesday

12. Set up auto-lock time, it will auto lock the door every day at assigned time

#1234#66#0830#

#1234#66#123#0830#

13. Disable auto-unlock time function

#1234#65#

14. Enable auto-unlock time function

#1234#64#

15. Disable auto-lock time function

#1234#68#

16. Enable auto-lock time function

#1234#67#

17. Set up passage mode (regular unlocked time)

For Monday, from 8:30am to 5.30pm; or

Monday, Tuesday, Wednesday, 8:30am to 5.30pm, etc)

#1234#15#1#0830#0905#

#1234#15#123#0830#0905#

123 = Monday, Tuesday, Wednesday

18. Disable passage mode

#1234#16#